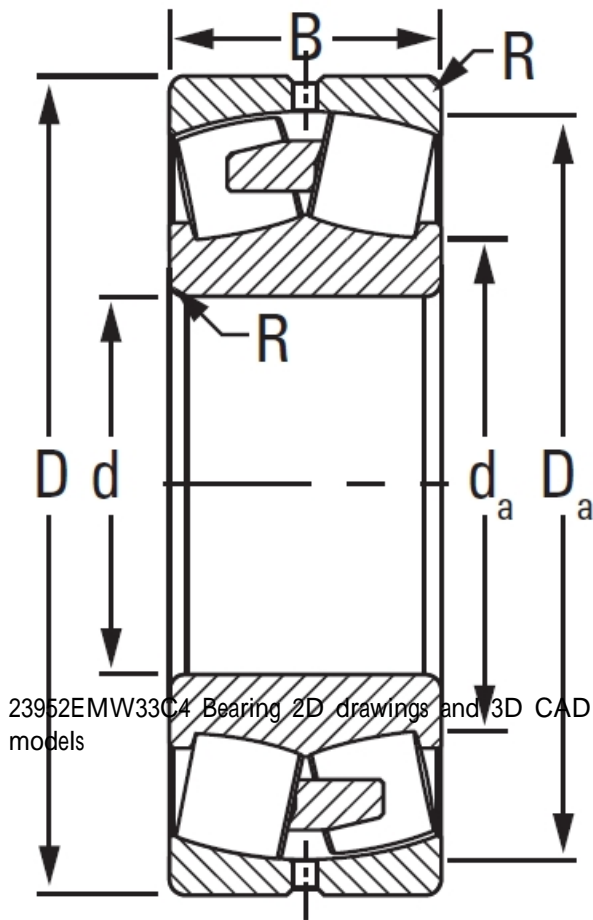




JOP BEARING MFG. CORP.

23952EMW33C4 TIMKEN Cylindrical Roller Radial Bearings

Bearing No. 23952EMW33C4



| | |
|---|--------------|
| Design Unit | METRIC |
| Bearing Weight | 22.8 Kg |
| Cage Type | EM |
| UPC Code | 087796156494 |
| Cage Material | Brass |
| Superseded Part | 23952YMW33C4 |
| d | 260 mm |
| D | 360.000 mm |
| B - Inner Ring Width | 75 mm |
| B - Outer Ring Width | 75 mm |
| R - Inner Ring To Clear Radius ¹ | 2.0 mm |
| r - Outer Ring To Clear Radius ² | 2.0 mm |
| da - Inner Ring Backing Diameter | 284.000 mm |
| Da - Outer Ring Backing Diameter | 339.000 mm |
| C0 - Static Radial Rating | 1860000 N |
| C1(2) - Dynamic Radial Rating (Two-Rows) | 1120000 N |
| e - ISO Factor ³ | 0.18 |
| Y0 - ISO Factor ⁴ | 3.74 |
| Y1 - ISO Factor ⁵ | 5.56 |
| Y2 - ISO Factor ⁶ | 3.65 |
| Reference Thermal Speed Rating (Grease) | 1200 |
| | |



JOP BEARING MFG.CORP.

| | |
|---|--------|
| Reference Thermal Speed Rating (Oil) ⁷ | 1400 |
| Cg - Geometry Factor ⁸ | 0.1103 |