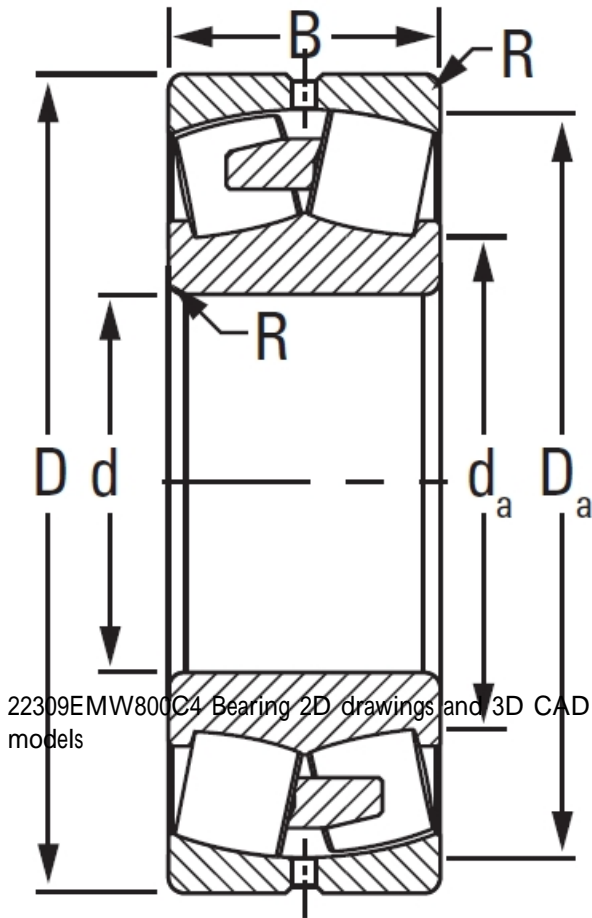




JOP BEARING MFG. CORP.

22309EMW800C4 TIMKEN Cylindrical Roller Radial Bearings

Bearing No. 22309EMW800C4



Design Unit	METRIC
Bearing Weight	1.4 Kg
Cage Type	EM
UPC Code	087796312739
Cage Material	Brass
Superseded Part	22309YMW800C4
d	45 mm
D	99.993 mm
B - Inner Ring Width	36 mm
B - Outer Ring Width	36 mm
R - Inner Ring To Clear Radius ¹	1.5 mm
r - Outer Ring To Clear Radius ²	1.5 mm
da - Inner Ring Backing Diameter	58.000 mm
Da - Outer Ring Backing Diameter	90.000 mm
C0 - Static Radial Rating	169000 N
C1(2) - Dynamic Radial Rating (Two-Rows)	180000 N
e - ISO Factor ³	0.36
Y0 - ISO Factor ⁴	1.9
Y1 - ISO Factor ⁵	2.83
Y2 - ISO Factor ⁶	1.86
Reference Thermal Speed Rating (Grease)	5100



JOP BEARING MFG.CORP.

Reference Thermal Speed Rating (Oil) ⁷	6100
Cg - Geometry Factor ⁸	0.049