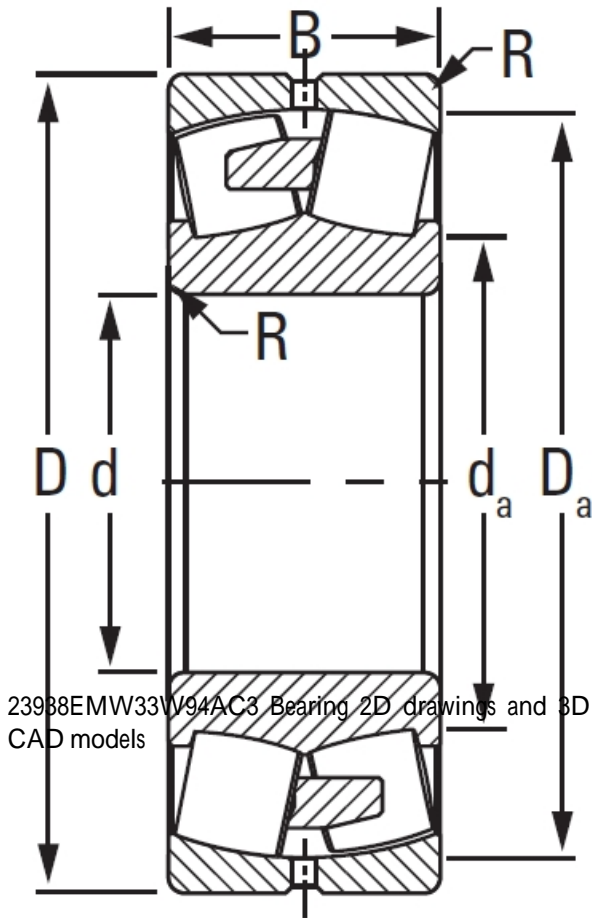




JOP BEARING MFG. CORP.

23938EMW33W94AC3 TIMKEN Cylindrical Roller Radial Bearings

Bearing No. 23938EMW33W94AC3



Design Unit	METRIC
Bearing Weight	8 Kg
Cage Type	EM
Cage Material	Brass
Superseded Part	23938YMW33W94AC3
d	190.000 mm
D	260 mm
B - Inner Ring Width	52 mm
B - Outer Ring Width	52 mm
R - Inner Ring To Clear Radius ¹	2.0 mm
r - Outer Ring To Clear Radius ²	2.0 mm
da - Inner Ring Backing Diameter	207.000 mm
Da - Outer Ring Backing Diameter	245.000 mm
C0 - Static Radial Rating	964000 N
C1(2) - Dynamic Radial Rating (Two-Rows)	589000 N
e - ISO Factor ³	0.17
Y0 - ISO Factor ⁴	4.01
Y1 - ISO Factor ⁵	5.97
Y2 - ISO Factor ⁶	3.92
Reference Thermal Speed Rating (Grease)	1700
Reference Thermal Speed Rating (Oil) ⁷	2000



JOP BEARING MFG. CORP.

Cg - Geometry Factor ⁸	0.097
-----------------------------------	-------