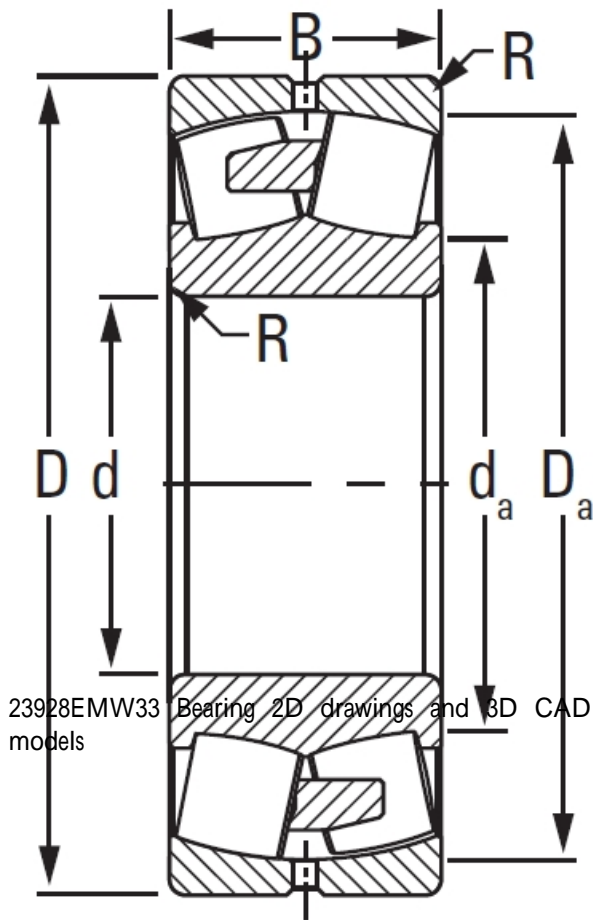




JOP BEARING MFG. CORP.

23928EMW33 TIMKEN Spherical Roller Bearings Steel Cage

Bearing No. 23928EMW33



Design Unit	METRIC
Bearing Weight	2.9 Kg
Cage Type	EM
UPC Code	087796142275
Cage Material	Brass
Superseded Part	23928YMW33
d	140 mm
D	190 mm
B - Inner Ring Width	37 mm
B - Outer Ring Width	37 mm
R - Inner Ring To Clear Radius ¹	1.5 mm
r - Outer Ring To Clear Radius ²	1.5 mm
da - Inner Ring Backing Diameter	152.000 mm
Da - Outer Ring Backing Diameter	180.000 mm
C0 - Static Radial Rating	477000 N
C1(2) - Dynamic Radial Rating (Two-Rows)	314000 N
e - ISO Factor ³	0.16
Y0 - ISO Factor ⁴	4.1
Y1 - ISO Factor ⁵	6.1
Y2 - ISO Factor ⁶	4.01
Reference Thermal Speed Rating (Grease)	2200



JOP BEARING MFG.CORP.

Reference Thermal Speed Rating (Oil) ⁷	2800
Cg - Geometry Factor ⁸	0.0789