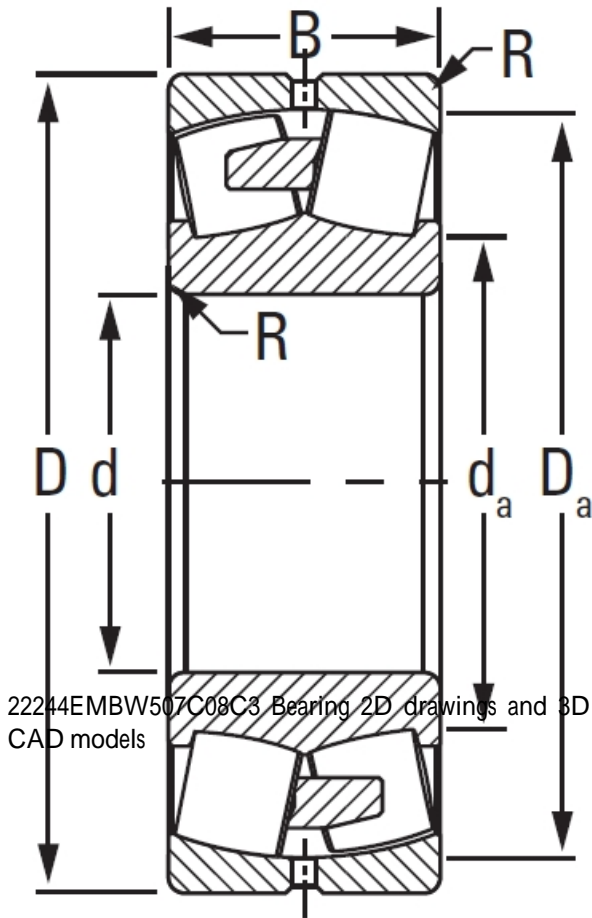




# JOP BEARING MFG. CORP.

## 22244EMBW507C08C3 TIMKEN Spherical Roller Bearings Steel Cage

Bearing No. 22244EMBW507C08C3



Design Unit	METRIC
Bearing Weight	59.40 Kg
Cage Type	EMB
UPC Code	087796026056
Cage Material	Brass
Superseded Part	22244YMBW507C08C3
d	220 mm
D	400.000 mm
B - Inner Ring Width	108 mm
B - Outer Ring Width	108.000 mm
R - Inner Ring To Clear Radius <sup>1</sup>	3.0 mm
r - Outer Ring To Clear Radius <sup>2</sup>	3.0 mm
da - Inner Ring Backing Diameter	261.000 mm
Da - Outer Ring Backing Diameter	359.000 mm
C0 - Static Radial Rating	2310000 N
C1(2) - Dynamic Radial Rating (Two-Rows)	1850000 N
e - ISO Factor <sup>3</sup>	0.27
Y0 - ISO Factor <sup>4</sup>	2.51
Y1 - ISO Factor <sup>5</sup>	3.73
Y2 - ISO Factor <sup>6</sup>	2.45
Reference Thermal Speed Rating (Grease)	1300



## JOP BEARING MFG.CORP.

Reference Thermal Speed Rating (Oil) <sup>7</sup>	1500
Cg - Geometry Factor <sup>8</sup>	0.1057