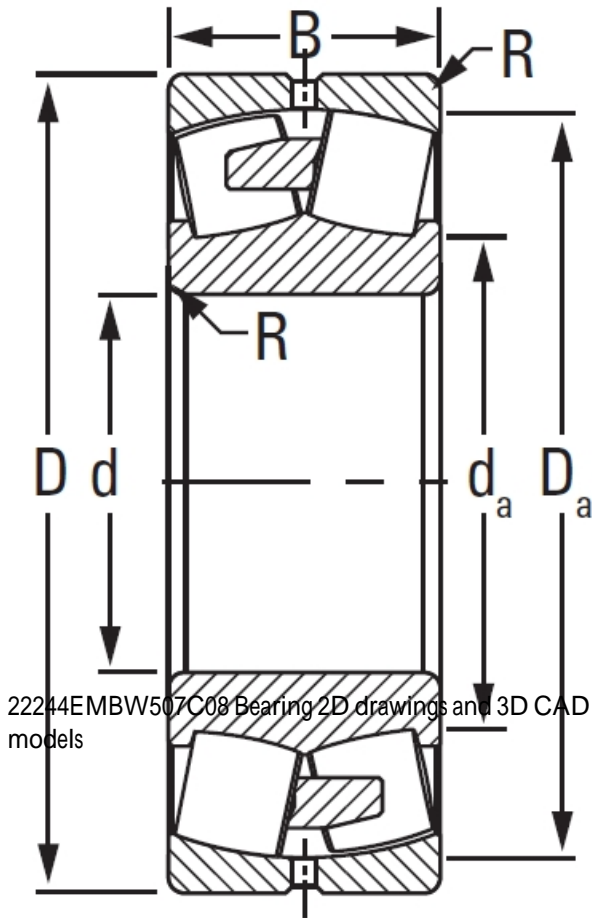




JOP BEARING MFG. CORP.

22244EMBW507C08 TIMKEN Spherical Roller Bearings Steel Cage

Bearing No. 22244EMBW507C08



22244EMBW507C08 Bearing 2D drawings and 3D CAD models

Design Unit	METRIC
Bearing Weight	59.40 Kg
Cage Type	EMB
UPC Code	087796026049
Cage Material	Brass
Superseded Part	22244YMBW507C08
d	220 mm
D	400.000 mm
B - Inner Ring Width	108 mm
B - Outer Ring Width	108.000 mm
R - Inner Ring To Clear Radius ¹	3.0 mm
r - Outer Ring To Clear Radius ²	3.0 mm
da - Inner Ring Backing Diameter	261.000 mm
Da - Outer Ring Backing Diameter	359.000 mm
C0 - Static Radial Rating	2310000 N
C1(2) - Dynamic Radial Rating (Two-Rows)	1850000 N
e - ISO Factor ³	0.27
Y0 - ISO Factor ⁴	2.51
Y1 - ISO Factor ⁵	3.73
Y2 - ISO Factor ⁶	2.45
Reference Thermal Speed Rating (Grease)	1300



JOP BEARING MFG.CORP.

Reference Thermal Speed Rating (Oil) ⁷	1500
Cg - Geometry Factor ⁸	0.1057