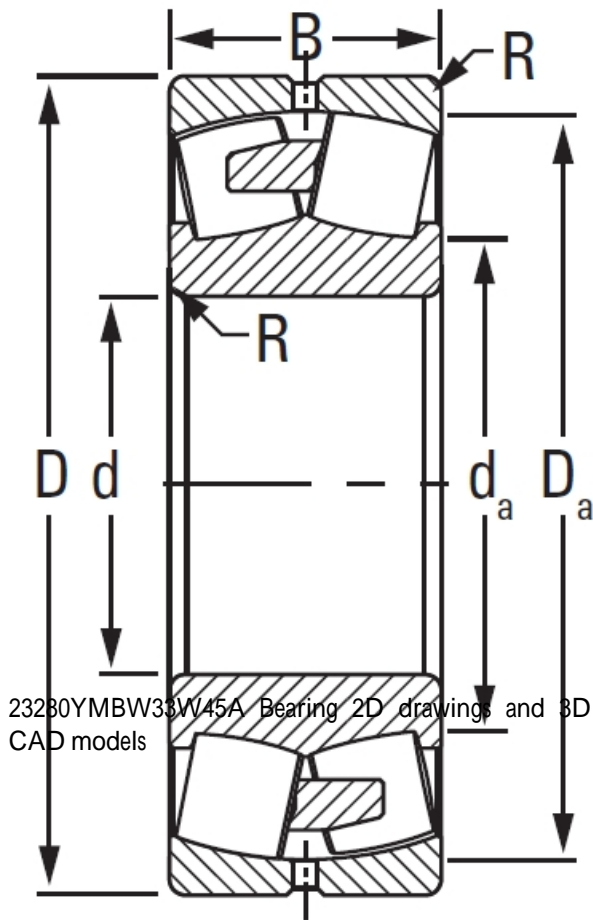




JOP BEARING MFG. CORP.

23280YMBW33W45A TIMKEN Spherical Roller Bearings Steel Cage

Bearing No. 23280YMBW33W45A



23280YMBW33W45A Bearing 2D drawings and 3D CAD models

Design Unit	METRIC
Bearing Weight	457.500 Kg
Cage Type	YMB
UPC Code	087796360815
Cage Material	Brass
d	400.000 mm
D	720.000 mm
B - Inner Ring Width	256 mm
B - Outer Ring Width	256.000 mm
R - Inner Ring To Clear Radius ¹	5.000 mm
r - Outer Ring To Clear Radius ²	5.000 mm
da - Inner Ring Backing Diameter	466.000 mm
Da - Outer Ring Backing Diameter	646.000 mm
C0 - Static Radial Rating	10800000 N
C1(2) - Dynamic Radial Rating (Two-Rows)	6720000 N
e - ISO Factor ³	0.34
Y0 - ISO Factor ⁴	1.96
Y1 - ISO Factor ⁵	2.93
Y2 - ISO Factor ⁶	1.92
Reference Thermal Speed Rating (Grease)	350
Reference Thermal Speed Rating (Oil) ⁷	380



JOP BEARING MFG. CORP.

Cg - Geometry Factor ⁸	0.0952
-----------------------------------	--------