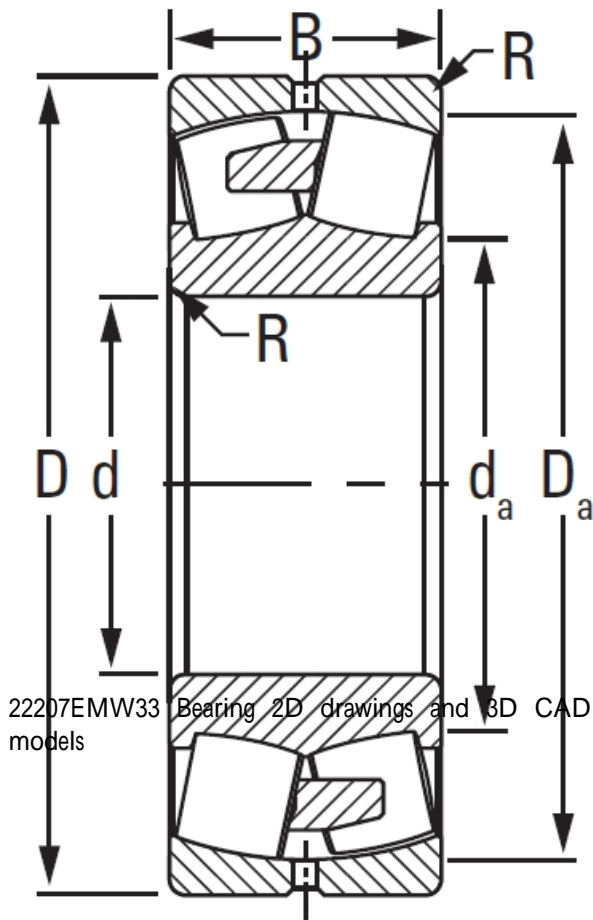




# JOP BEARING MFG. CORP.

## 22207EMW33 TIMKEN Spherical Roller Bearings Steel Cage

Bearing No. 22207EMW33



|   |              |
|---|--------------|
| Design Unit                                 | METRIC       |
| Bearing Weight                              | 0.4 Kg       |
| Cage Type                                   | EM           |
| UPC Code                                    | 087796304413 |
| Cage Material                               | Brass        |
| Superseded Part                             | 22207YMW33   |
| d   | 35 mm        |
| D   | 72 mm        |
| B - Inner Ring Width                        | 23 mm        |
| B - Outer Ring Width                        | 23 mm        |
| R - Inner Ring To Clear Radius <sup>1</sup> | 1.0 mm       |
| r - Outer Ring To Clear Radius <sup>2</sup> | 1.0 mm       |
| da - Inner Ring Backing Diameter            | 45.000 mm    |
| Da - Outer Ring Backing Diameter            | 65.0 mm      |
| C0 - Static Radial Rating                   | 82000 N      |
| C1(2) - Dynamic Radial Rating (Two-Rows)    | 86500 N      |
| e - ISO Factor <sup>3</sup>                 | 0.31         |
| Y0 - ISO Factor <sup>4</sup>                | 2.21         |
| Y1 - ISO Factor <sup>5</sup>                | 3.29         |
| Y2 - ISO Factor <sup>6</sup>                | 2.16         |
| Reference Thermal Speed Rating (Grease)     | 7000         |
|   |              |



## JOP BEARING MFG.CORP.

|   |       |
|---|-------|
| Reference Thermal Speed Rating (Oil) <sup>7</sup> | 8700  |
| Cg - Geometry Factor <sup>8</sup>                 | 0.041 |