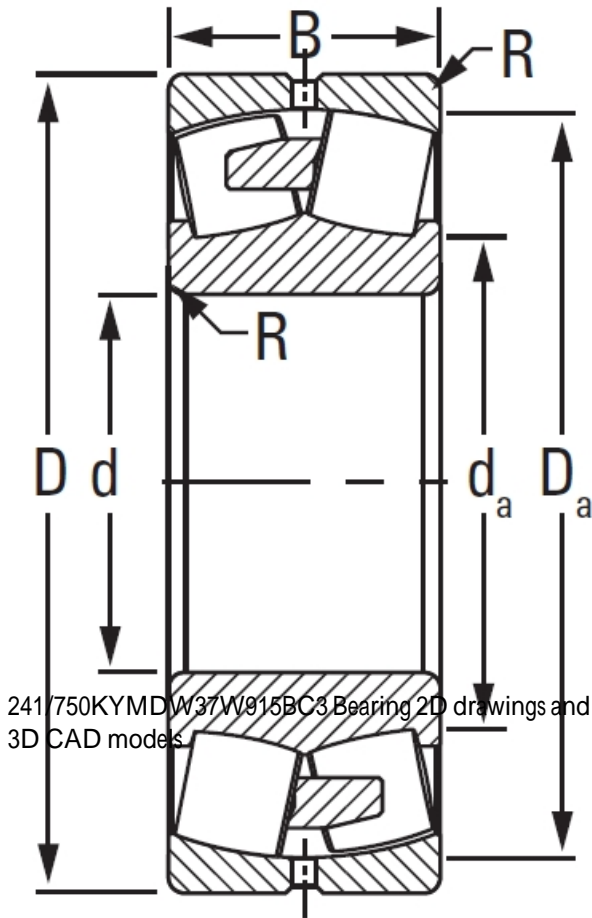




JOP BEARING MFG. CORP.

241/750KYMDW37W915BC3 TIMKEN Spherical Roller Bearings Steel Cage

Bearing No. 241/750KYMDW37W915BC3



Design Unit	METRIC
Bore Taper	1/30
Bearing Weight	2144.400 Kg
Cage Type	YMD
UPC Code	087796291256
Cage Material	Brass
d	750.000 mm
D	1220.000 mm
B - Inner Ring Width	475 mm
B - Outer Ring Width	475.000 mm
R - Inner Ring To Clear Radius ¹	7.000 mm
r - Outer Ring To Clear Radius ²	7.000 mm
da - Inner Ring Backing Diameter	839.000 mm
Da - Outer Ring Backing Diameter	1114.000 mm
C0 - Static Radial Rating	38700000 N
C1(2) - Dynamic Radial Rating (Two-Rows)	19800000 N
e - ISO Factor ³	0.36
Y0 - ISO Factor ⁴	1.86
Y1 - ISO Factor ⁵	2.77
Y2 - ISO Factor ⁶	1.82
Reference Thermal Speed Rating (Grease)	100



JOP BEARING MFG. CORP.

Reference Thermal Speed Rating (Oil) ⁷	110
Cg - Geometry Factor ⁸	0.1309