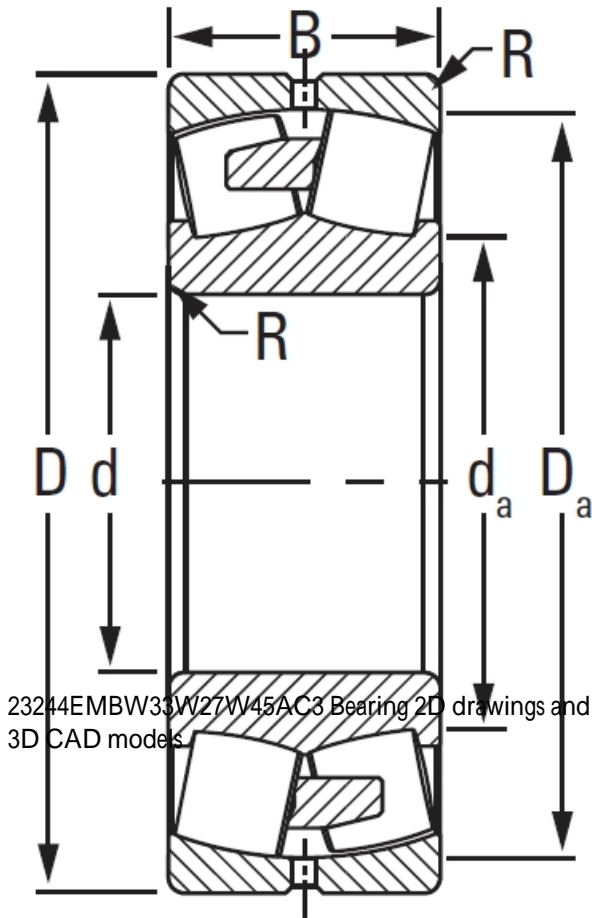




# JOP BEARING MFG. CORP.

## 23244EMBW33W27W45AC3 TIMKEN Spherical Roller Bearings Steel Cage

Bearing No. 23244EMBW33W27W45AC3



23244EMBW33W27W45AC3 Bearing 2D drawings and 3D CAD models

Design Unit	METRIC
Bearing Weight	79.4 Kg
Cage Type	EMB
UPC Code	087796178076
Cage Material	Brass
Superseded Part	23244YMBW33W27W45A C3
d	220 mm
D	400.000 mm
B - Inner Ring Width	144 mm
B - Outer Ring Width	144 mm
R - Inner Ring To Clear Radius <sup>1</sup>	3.0 mm
r - Outer Ring To Clear Radius <sup>2</sup>	3.0 mm
da - Inner Ring Backing Diameter	257.000 mm
Da - Outer Ring Backing Diameter	359.000 mm
C0 - Static Radial Rating	3350000 N
C1(2) - Dynamic Radial Rating (Two-Rows)	2490000 N
e - ISO Factor <sup>3</sup>	0.35
Y0 - ISO Factor <sup>4</sup>	1.95
Y1 - ISO Factor <sup>5</sup>	2.9
Y2 - ISO Factor <sup>6</sup>	1.9
Reference Thermal Speed Rating (Grease)	830



## JOP BEARING MFG.CORP.

Reference Thermal Speed Rating (Oil) <sup>7</sup>	920
Cg - Geometry Factor <sup>8</sup>	0.1051