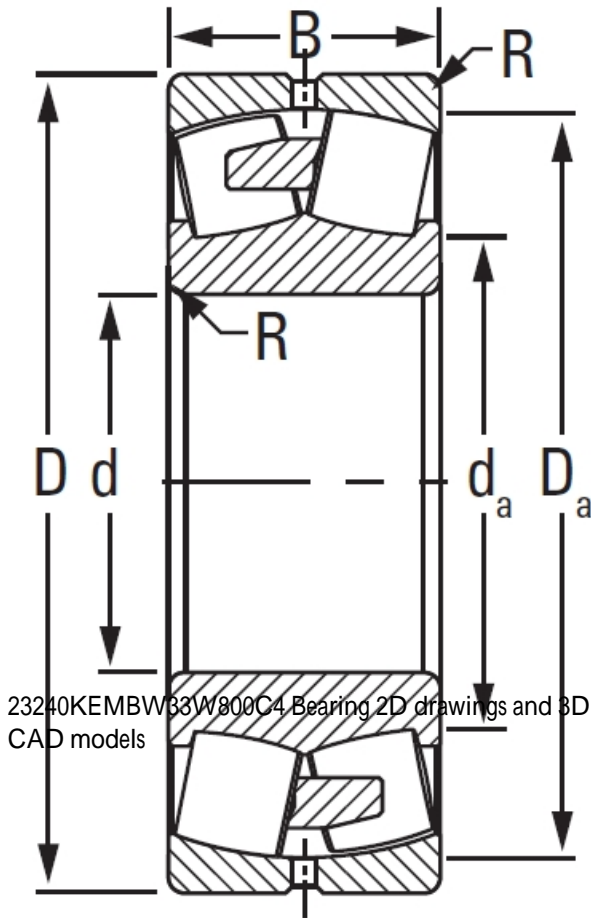




JOP BEARING MFG. CORP.

23240KEMBW33W800C4 TIMKEN Spherical Roller Bearings Steel Cage

Bearing No. 23240KEMBW33W800C4



23240KEMBW33W800C4 Bearing 2D drawings and 3D CAD models

Design Unit	METRIC
Bore Taper	1/12
Bearing Weight	56.500 Kg
Cage Type	EMB
UPC Code	087796202931
Cage Material	Brass
Superseded Part	23240KYMBW33W800C4
d	200 mm
D	359.993 mm
B - Inner Ring Width	128 mm
B - Outer Ring Width	128.000 mm
R - Inner Ring To Clear Radius ¹	3.0 mm
r - Outer Ring To Clear Radius ²	3.0 mm
da - Inner Ring Backing Diameter	237.000 mm
Da - Outer Ring Backing Diameter	329.000 mm
C0 - Static Radial Rating	2890000 N
C1(2) - Dynamic Radial Rating (Two-Rows)	2140000 N
e - ISO Factor ³	0.33
Y0 - ISO Factor ⁴	2.06
Y1 - ISO Factor ⁵	3.06
Y2 - ISO Factor ⁶	2.01
Reference Thermal Speed	920



JOP BEARING MFG.CORP.

Rating (Grease)	
Reference Thermal Speed Rating (Oil) ⁷	1000
Cg - Geometry Factor ⁸	0.1003