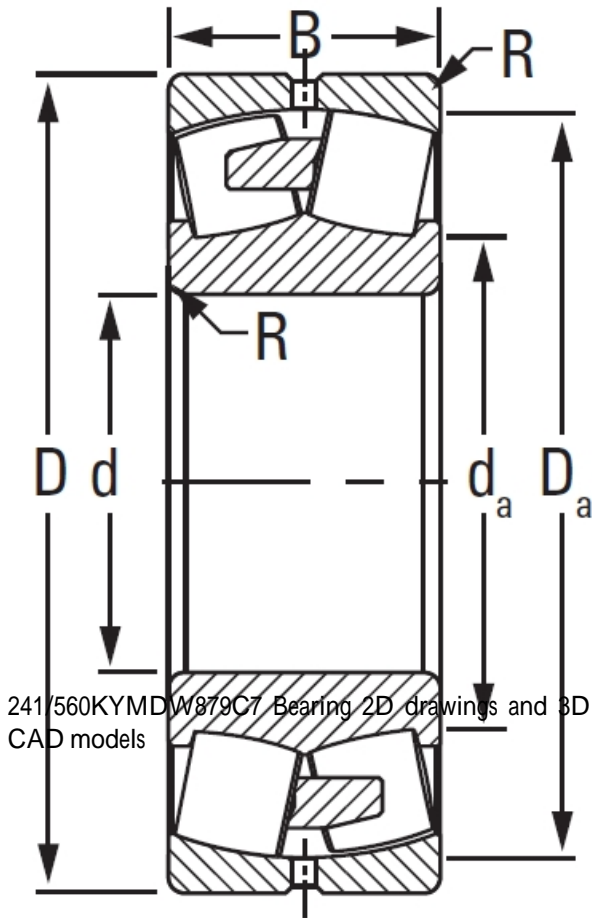




JOP BEARING MFG. CORP.

241/560KYMDW879C7 TIMKEN Spherical Roller Bearings Steel Cage

Bearing No. 241/560KYMDW879C7



241/560KYMDW879C7 Bearing 2D drawings and 3D CAD models

Design Unit	METRIC
Bore Taper	1/30
Bearing Weight	941.700 Kg
Cage Type	YMD
Cage Material	Brass
d	560.000 mm
D	920.000 mm
B - Inner Ring Width	355 mm
B - Outer Ring Width	355.000 mm
R - Inner Ring To Clear Radius ¹	6.000 mm
r - Outer Ring To Clear Radius ²	6.000 mm
da - Inner Ring Backing Diameter	630.000 mm
Da - Outer Ring Backing Diameter	839.000 mm
C0 - Static Radial Rating	21800000 N
C1(2) - Dynamic Radial Rating (Two-Rows)	11700000 N
e - ISO Factor ³	0.36
Y0 - ISO Factor ⁴	1.87
Y1 - ISO Factor ⁵	2.78
Y2 - ISO Factor ⁶	1.83
Reference Thermal Speed Rating (Grease)	160
Reference Thermal Speed Rating (Oil) ⁷	170



JOP BEARING MFG.CORP.

Cg - Geometry Factor ⁸	0.1149
-----------------------------------	--------