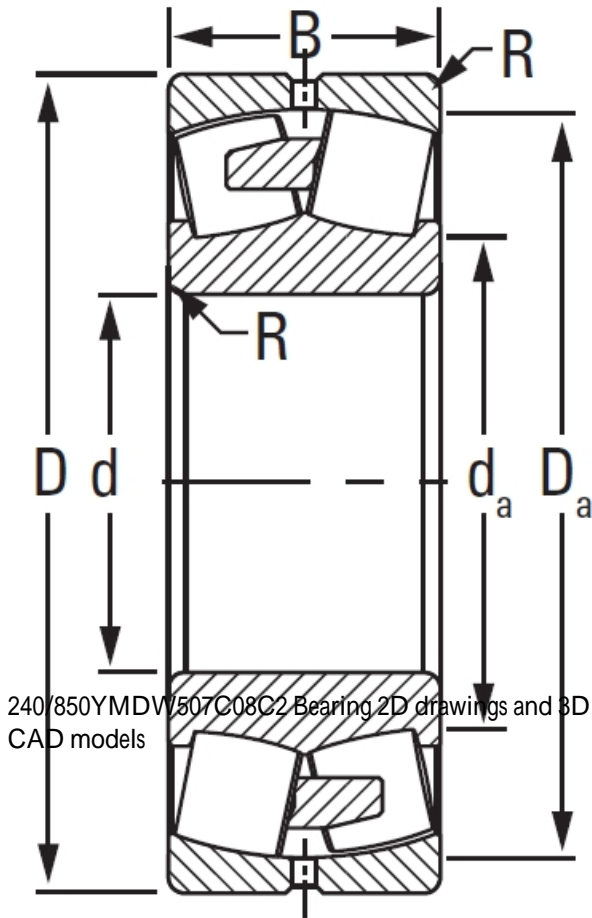




JOP BEARING MFG. CORP.

240/850YMDW507C08C2 TIMKEN Spherical Roller Bearings Steel Cage

Bearing No. 240/850YMDW507C08C2



240/850YMDW507C08C2 Bearing 2D drawings and 3D CAD models

Design Unit	METRIC
Bearing Weight	1401.900 Kg
Cage Type	YMD
Cage Material	Brass
d	850.000 mm
D	1220.000 mm
B - Inner Ring Width	365 mm
B - Outer Ring Width	365.000 mm
R - Inner Ring To Clear Radius ¹	6.000 mm
r - Outer Ring To Clear Radius ²	6.000 mm
da - Inner Ring Backing Diameter	931.000 mm
Da - Outer Ring Backing Diameter	1138.000 mm
C0 - Static Radial Rating	32200000 N
C1(2) - Dynamic Radial Rating (Two-Rows)	14500000 N
e - ISO Factor ³	0.26
Y0 - ISO Factor ⁴	2.56
Y1 - ISO Factor ⁵	3.81
Y2 - ISO Factor ⁶	2.5
Reference Thermal Speed Rating (Grease)	160
Reference Thermal Speed Rating (Oil) ⁷	170
Cg - Geometry Factor ⁸	0.1383



JOP BEARING MFG.CORP.