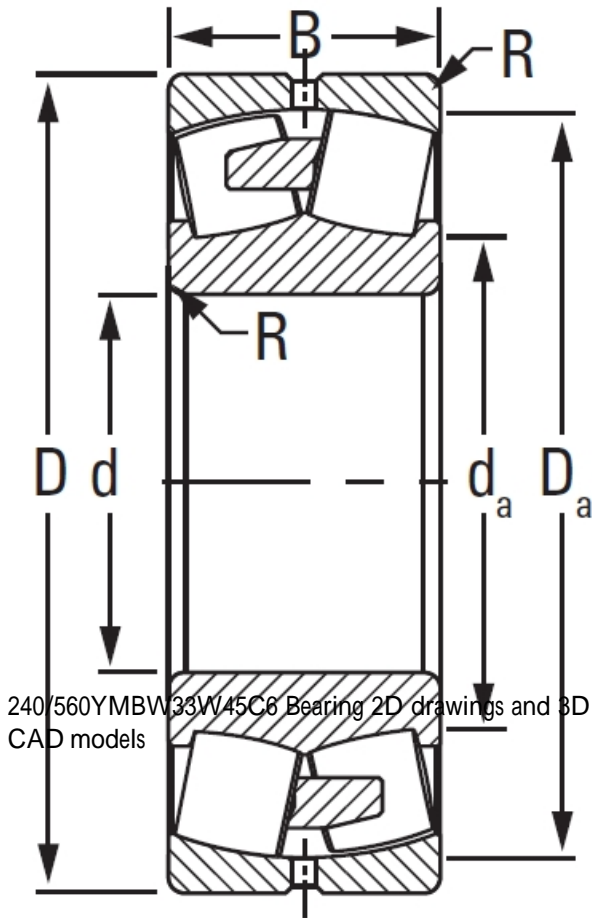




JOP BEARING MFG. CORP.

240/560YMBW33W45C6 TIMKEN Tapered Roller Bearings Tapered Single Imperial

Bearing No. 240/560YMBW33W45C6



240/560YMBW33W45C6 Bearing 2D drawings and 3D CAD models

Design Unit	METRIC
Bearing Weight	463.900 Kg
Cage Type	YMB
Cage Material	Brass
d	560.000 mm
D	820.000 mm
B - Inner Ring Width	258 mm
B - Outer Ring Width	258.000 mm
R - Inner Ring To Clear Radius ¹	5.000 mm
r - Outer Ring To Clear Radius ²	5.000 mm
da - Inner Ring Backing Diameter	617.000 mm
Da - Outer Ring Backing Diameter	761.000 mm
C0 - Static Radial Rating	14800000 N
C1(2) - Dynamic Radial Rating (Two-Rows)	7140000 N
e - ISO Factor ³	0.28
Y0 - ISO Factor ⁴	2.42
Y1 - ISO Factor ⁵	3.6
Y2 - ISO Factor ⁶	2.37
Reference Thermal Speed Rating (Grease)	300
Reference Thermal Speed Rating (Oil) ⁷	330
Cg - Geometry Factor ⁸	0.1121



JOP BEARING MFG.CORP.