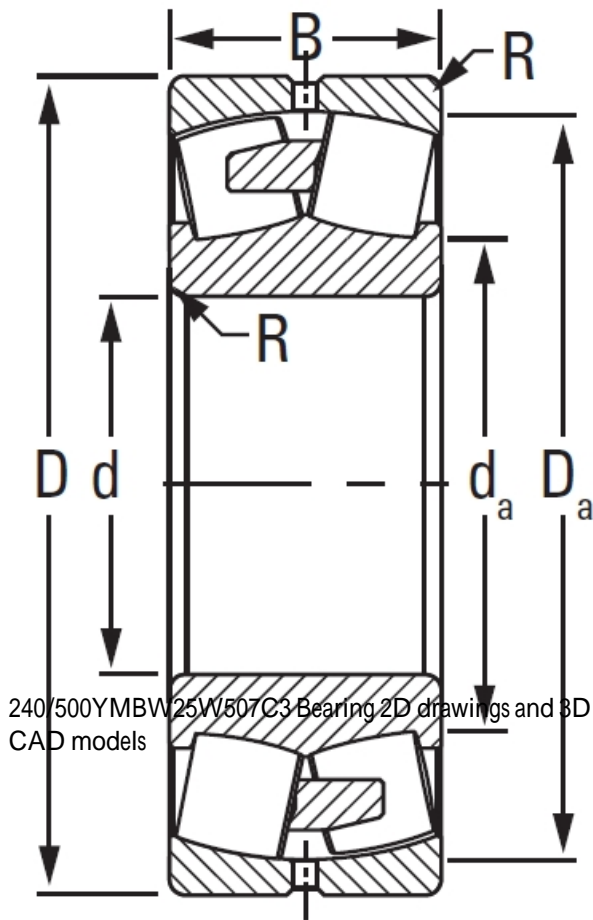




JOP BEARING MFG. CORP.

240/500YMBW25W507C3 TIMKEN Tapered Roller Bearings Tapered Single Imperial

Bearing No. 240/500YMBW25W507C3



Design Unit	METRIC
Bearing Weight	290.80 Kg
Cage Type	YMB
UPC Code	087796297364
Cage Material	Brass
d	500.000 mm
D	720.000 mm
B - Inner Ring Width	218 mm
B - Outer Ring Width	218.000 mm
R - Inner Ring To Clear Radius ¹	5.000 mm
r - Outer Ring To Clear Radius ²	5.000 mm
da - Inner Ring Backing Diameter	547.000 mm
Da - Outer Ring Backing Diameter	673.000 mm
C0 - Static Radial Rating	11200000 N
C1(2) - Dynamic Radial Rating (Two-Rows)	5510000 N
e - ISO Factor ³	0.27
Y0 - ISO Factor ⁴	2.51
Y1 - ISO Factor ⁵	3.74
Y2 - ISO Factor ⁶	2.45
Reference Thermal Speed Rating (Grease)	350
Reference Thermal Speed Rating (Oil) ⁷	390



JOP BEARING MFG.CORP.

Cg - Geometry Factor ⁸	0.1036
-----------------------------------	--------