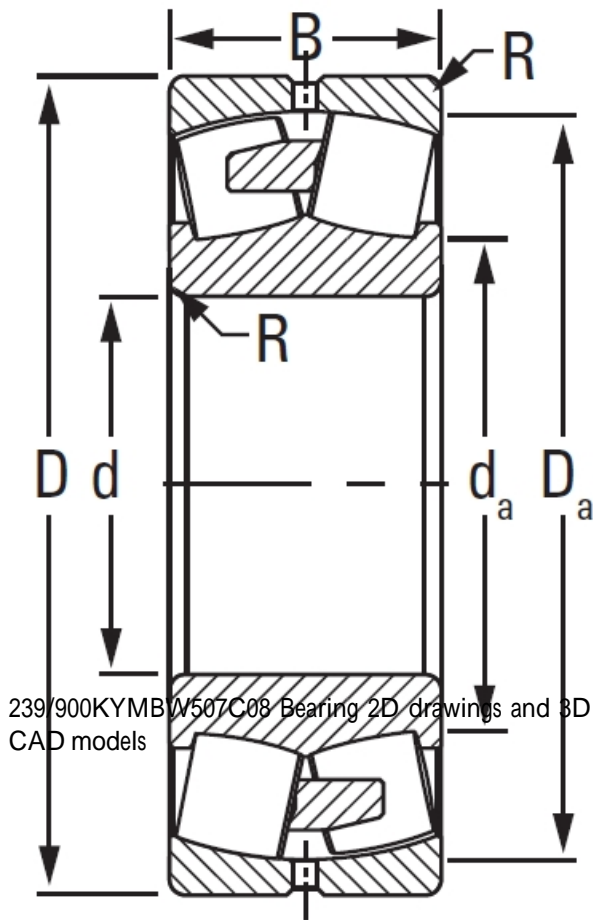




JOP BEARING MFG. CORP.

239/900KYMBW507C08 TIMKEN Tapered Roller Bearings Tapered Single Imperial

Bearing No. 239/900KYMBW507C08



239/900KYMBW507C08 Bearing 2D drawings and 3D CAD models

Design Unit	METRIC
Bore Taper	1/12
Bearing Weight	677.400 Kg
Cage Type	YMB
Cage Material	Brass
d	900.000 mm
D	1180.000 mm
B - Inner Ring Width	206 mm
B - Outer Ring Width	206.000 mm
R - Inner Ring To Clear Radius ¹	5.000 mm
r - Outer Ring To Clear Radius ²	5.000 mm
da - Inner Ring Backing Diameter	965.000 mm
Da - Outer Ring Backing Diameter	1112.000 mm
C0 - Static Radial Rating	18100000 N
C1(2) - Dynamic Radial Rating (Two-Rows)	7710000 N
e - ISO Factor ³	0.14
Y0 - ISO Factor ⁴	4.69
Y1 - ISO Factor ⁵	6.98
Y2 - ISO Factor ⁶	4.58
Reference Thermal Speed Rating (Grease)	240
Reference Thermal Speed Rating (Oil) ⁷	270



JOP BEARING MFG.CORP.

Cg - Geometry Factor ⁸	0.1499
-----------------------------------	--------