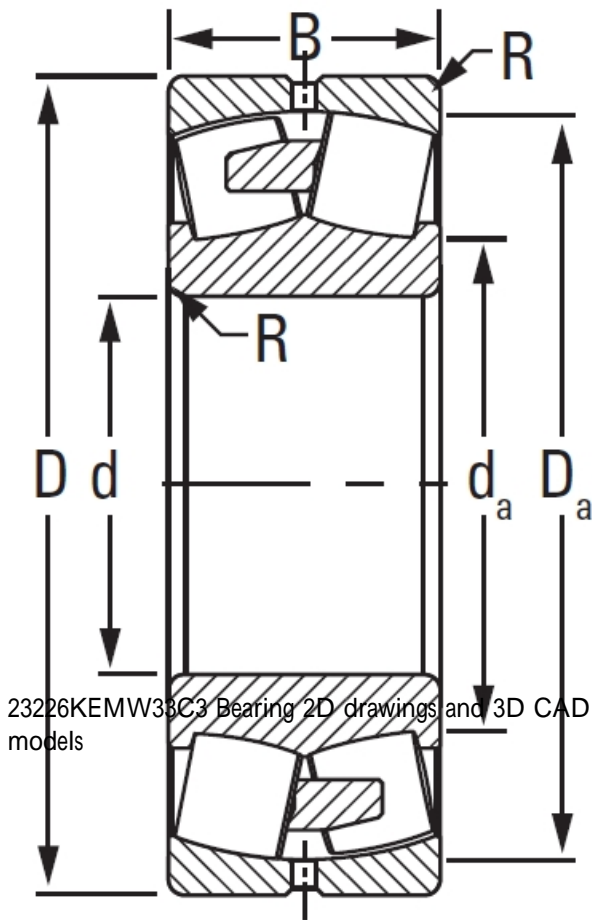




JOP BEARING MFG. CORP.

23226KEMW33C3 TIMKEN Tapered Roller Bearings Tapered Single Imperial

Bearing No. 23226KEMW33C3



Design Unit	METRIC
Bore Taper	1/12
Bearing Weight	14.000 Kg
Cage Type	EM
UPC Code	087796024922
Cage Material	Brass
Superseded Part	23226KYMW33C3
d	130 mm
D	230 mm
B - Inner Ring Width	80 mm
B - Outer Ring Width	80 mm
R - Inner Ring To Clear Radius ¹	2.500 mm
r - Outer Ring To Clear Radius ²	2.500 mm
da - Inner Ring Backing Diameter	153.000 mm
Da - Outer Ring Backing Diameter	211.0 mm
C0 - Static Radial Rating	1170000 N
C1(2) - Dynamic Radial Rating (Two-Rows)	915000 N
e - ISO Factor ³	0.32
Y0 - ISO Factor ⁴	2.14
Y1 - ISO Factor ⁵	3.19
Y2 - ISO Factor ⁶	2.09
Reference Thermal Speed	1700



JOP BEARING MFG.CORP.

Rating (Grease)	
Reference Thermal Speed Rating (Oil) ⁷	1900
Cg - Geometry Factor ⁸	0.0816