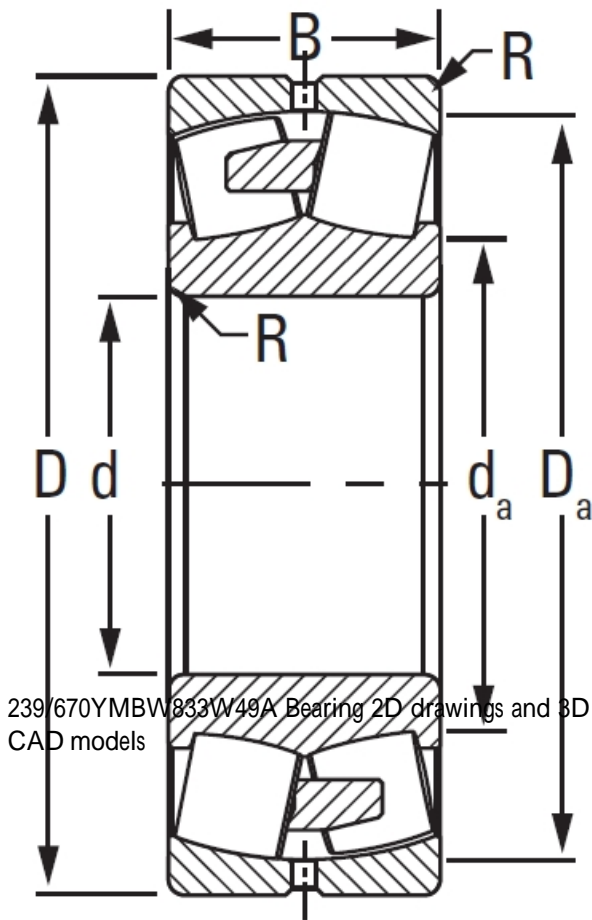




JOP BEARING MFG. CORP.

239/670YMBW833W49A TIMKEN Tapered Roller Bearings Tapered Single Imperial

Bearing No. 239/670YMBW833W49A



239/670YMBW833W49A Bearing 2D drawings and 3D CAD models

Design Unit	METRIC
Bearing Weight	306.700 Kg
Cage Type	YMB
UPC Code	087796228948
Cage Material	Brass
d	670.000 mm
D	900.000 mm
B - Inner Ring Width	170 mm
B - Outer Ring Width	170.000 mm
R - Inner Ring To Clear Radius ¹	5.000 mm
r - Outer Ring To Clear Radius ²	5.000 mm
da - Inner Ring Backing Diameter	727.000 mm
Da - Outer Ring Backing Diameter	851.000 mm
C0 - Static Radial Rating	11000000 N
C1(2) - Dynamic Radial Rating (Two-Rows)	5100000 N
e - ISO Factor ³	0.16
Y0 - ISO Factor ⁴	4.15
Y1 - ISO Factor ⁵	6.18
Y2 - ISO Factor ⁶	4.06
Reference Thermal Speed Rating (Grease)	350
Reference Thermal Speed Rating (Oil) ⁷	410



JOP BEARING MFG. CORP.

Cg - Geometry Factor ⁸	0.1238
-----------------------------------	--------