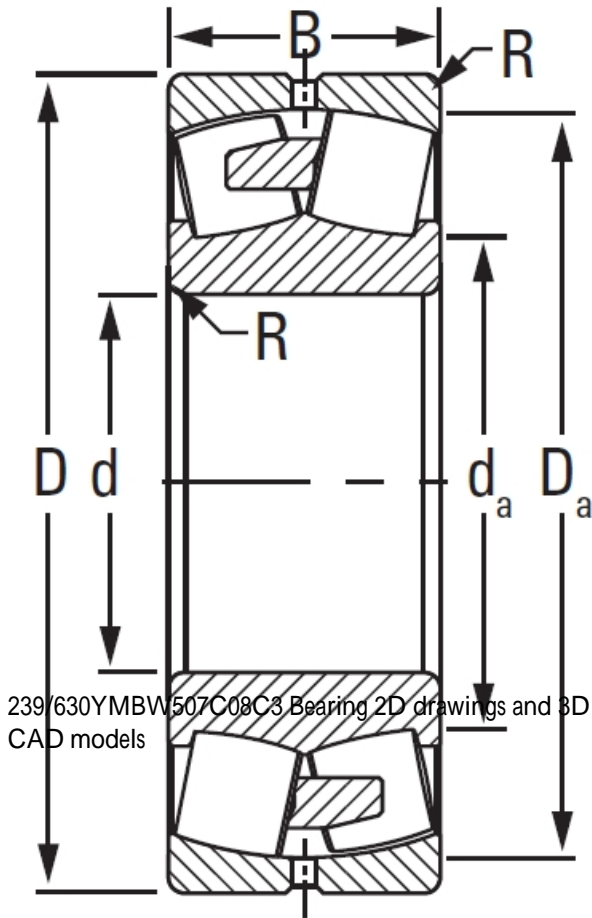




# JOP BEARING MFG. CORP.

## 239/630YMBW507C08C3 TIMKEN Tapered Roller Bearings Tapered Single Imperial

Bearing No. 239/630YMBW507C08C3



239/630YMBW507C08C3 Bearing 2D drawings and 3D CAD models

Design Unit	METRIC
Bearing Weight	267.600 Kg
Cage Type	YMB
UPC Code	087796200487
Cage Material	Brass
d	630.000 mm
D	850.000 mm
B - Inner Ring Width	165 mm
B - Outer Ring Width	165.000 mm
R - Inner Ring To Clear Radius <sup>1</sup>	5.000 mm
r - Outer Ring To Clear Radius <sup>2</sup>	5.000 mm
da - Inner Ring Backing Diameter	684.000 mm
Da - Outer Ring Backing Diameter	804.000 mm
C0 - Static Radial Rating	10100000 N
C1(2) - Dynamic Radial Rating (Two-Rows)	4740000 N
e - ISO Factor <sup>3</sup>	0.17
Y0 - ISO Factor <sup>4</sup>	4.02
Y1 - ISO Factor <sup>5</sup>	5.99
Y2 - ISO Factor <sup>6</sup>	3.93
Reference Thermal Speed Rating (Grease)	380
Reference Thermal Speed Rating (Oil) <sup>7</sup>	440



## JOP BEARING MFG.CORP.

Cg - Geometry Factor <sup>8</sup>	0.1191
-----------------------------------	--------