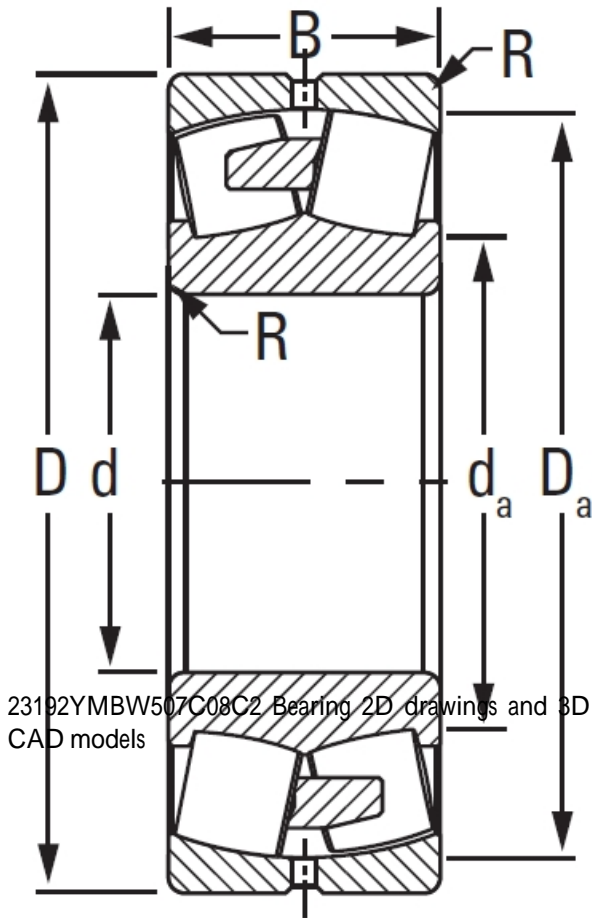




JOP BEARING MFG. CORP.

23192YMBW507C08C2 TIMKEN Tapered Roller Bearings Tapered Single Imperial

Bearing No. 23192YMBW507C08C2



23192YMBW507C08C2 Bearing 2D drawings and 3D CAD models

Design Unit	METRIC
Bearing Weight	436.900 Kg
Cage Type	YMB
UPC Code	087796188495
Cage Material	Brass
d	460.000 mm
D	760.000 mm
B - Inner Ring Width	240 mm
B - Outer Ring Width	240.000 mm
R - Inner Ring To Clear Radius ¹	6.000 mm
r - Outer Ring To Clear Radius ²	6.000 mm
da - Inner Ring Backing Diameter	524.000 mm
Da - Outer Ring Backing Diameter	692.000 mm
C0 - Static Radial Rating	11100000 N
C1(2) - Dynamic Radial Rating (Two-Rows)	6500000 N
e - ISO Factor ³	0.3
Y0 - ISO Factor ⁴	2.24
Y1 - ISO Factor ⁵	3.33
Y2 - ISO Factor ⁶	2.19
Reference Thermal Speed Rating (Grease)	390
Reference Thermal Speed Rating (Oil) ⁷	430



JOP BEARING MFG. CORP.

Cg - Geometry Factor ⁸	0.1009
-----------------------------------	--------