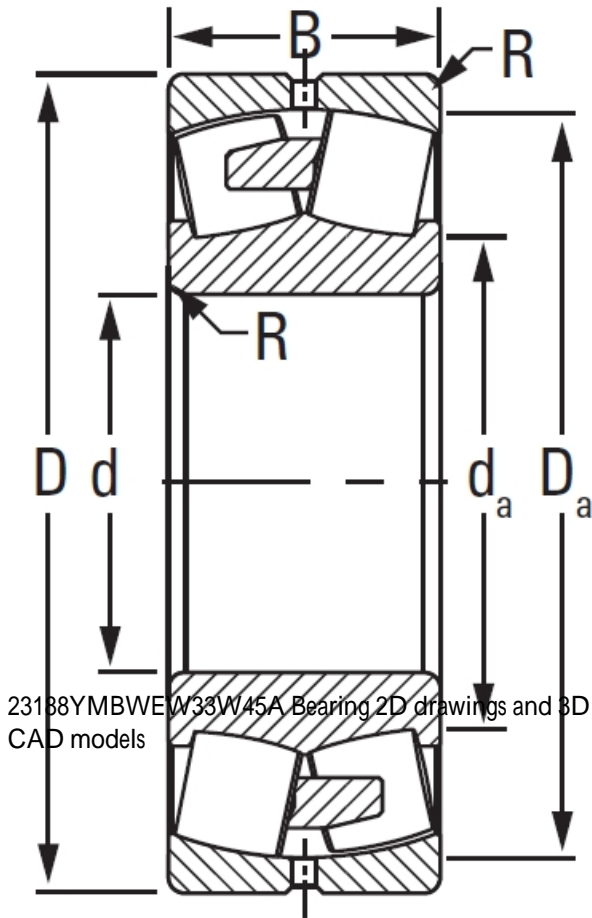




JOP BEARING MFG. CORP.

23188YMBWEW33W45A TIMKEN Tapered Roller Bearings Tapered Single Imperial

Bearing No. 23188YMBWEW33W45A



23188YMBWEW33W45A Bearing 2D drawings and 3D CAD models

Design Unit	METRIC
Bearing Weight	367.800 Kg
Cage Type	YMB
Cage Material	Brass
d	440.000 mm
D	720.000 mm
B - Inner Ring Width	226 mm
B - Outer Ring Width	226.000 mm
R - Inner Ring To Clear Radius ¹	5.000 mm
r - Outer Ring To Clear Radius ²	5.000 mm
da - Inner Ring Backing Diameter	500.000 mm
Da - Outer Ring Backing Diameter	657.000 mm
C0 - Static Radial Rating	10300000 N
C1(2) - Dynamic Radial Rating (Two-Rows)	5970000 N
e - ISO Factor ³	0.3
Y0 - ISO Factor ⁴	2.26
Y1 - ISO Factor ⁵	3.37
Y2 - ISO Factor ⁶	2.21
Reference Thermal Speed Rating (Grease)	410
Reference Thermal Speed Rating (Oil) ⁷	450
Cg - Geometry Factor ⁸	0.0984



JOP BEARING MFG.CORP.