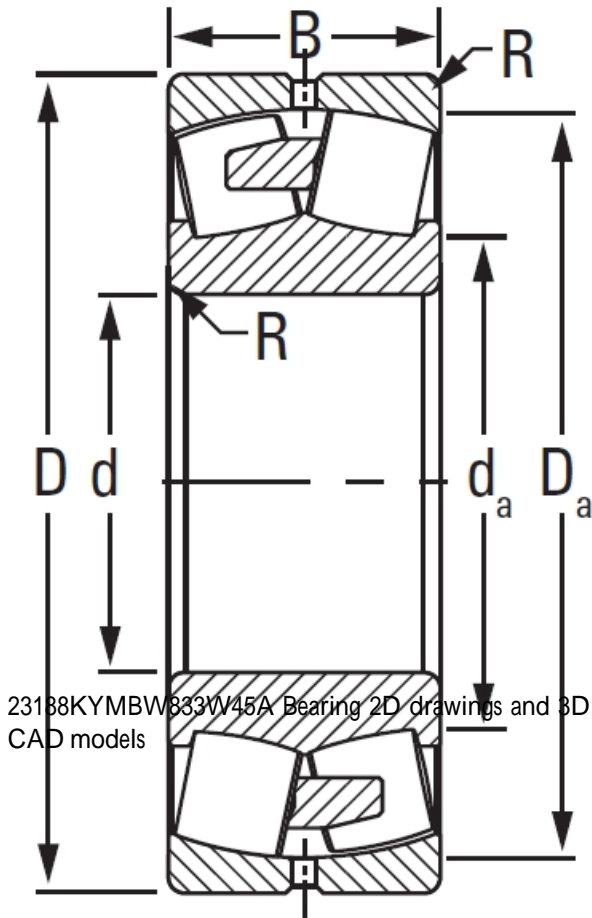




JOP BEARING MFG. CORP.

23188KYMBW833W45A TIMKEN Tapered Roller Bearings Tapered Single Imperial

Bearing No. 23188KYMBW833W45A



23188KYMBW833W45A Bearing 2D drawings and 3D CAD models

Design Unit	METRIC
Bore Taper	1/12
Bearing Weight	367.800 Kg
Cage Type	YMB
Cage Material	Brass
d	440.000 mm
D	720.000 mm
B - Inner Ring Width	226 mm
B - Outer Ring Width	226.000 mm
R - Inner Ring To Clear Radius ¹	5.000 mm
r - Outer Ring To Clear Radius ²	5.000 mm
da - Inner Ring Backing Diameter	500.000 mm
Da - Outer Ring Backing Diameter	657.000 mm
C0 - Static Radial Rating	10300000 N
C1(2) - Dynamic Radial Rating (Two-Rows)	5970000 N
e - ISO Factor ³	0.3
Y0 - ISO Factor ⁴	2.26
Y1 - ISO Factor ⁵	3.37
Y2 - ISO Factor ⁶	2.21
Reference Thermal Speed Rating (Grease)	410
Reference Thermal Speed Rating (Oil) ⁷	450



JOP BEARING MFG.CORP.

Cg - Geometry Factor ⁸	0.0984
-----------------------------------	--------