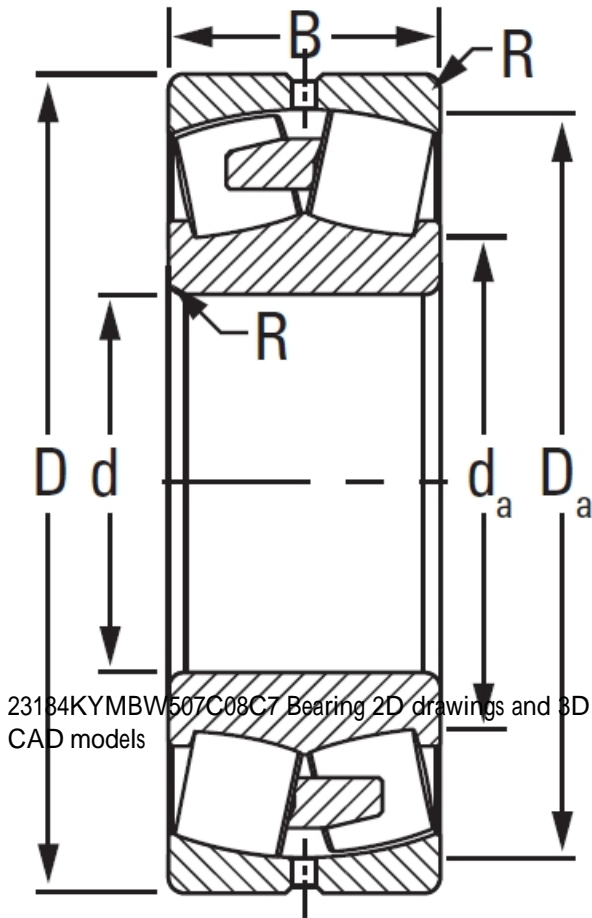




# JOP BEARING MFG. CORP.

## 23184KYMBW507C08C7 TIMKEN Tapered Roller Bearings Tapered Single Imperial

Bearing No. 23184KYMBW507C08C7



23184KYMBW507C08C7 Bearing 2D drawings and 3D CAD models

Design Unit	METRIC
Bore Taper	1/12
Bearing Weight	350.800 Kg
Cage Type	YMB
Cage Material	Brass
d	420.000 mm
D	700.000 mm
B - Inner Ring Width	224 mm
B - Outer Ring Width	224.000 mm
R - Inner Ring To Clear Radius <sup>1</sup>	5.000 mm
r - Outer Ring To Clear Radius <sup>2</sup>	5.000 mm
da - Inner Ring Backing Diameter	480.000 mm
Da - Outer Ring Backing Diameter	636.000 mm
C0 - Static Radial Rating	9640000 N
C1(2) - Dynamic Radial Rating (Two-Rows)	5720000 N
e - ISO Factor <sup>3</sup>	0.31
Y0 - ISO Factor <sup>4</sup>	2.21
Y1 - ISO Factor <sup>5</sup>	3.2
Y2 - ISO Factor <sup>6</sup>	2.16
Reference Thermal Speed Rating (Grease)	440
Reference Thermal Speed Rating (Oil) <sup>7</sup>	480



# JOP BEARING MFG.CORP.

Cg - Geometry Factor <sup>8</sup>	0.0957
-----------------------------------	--------