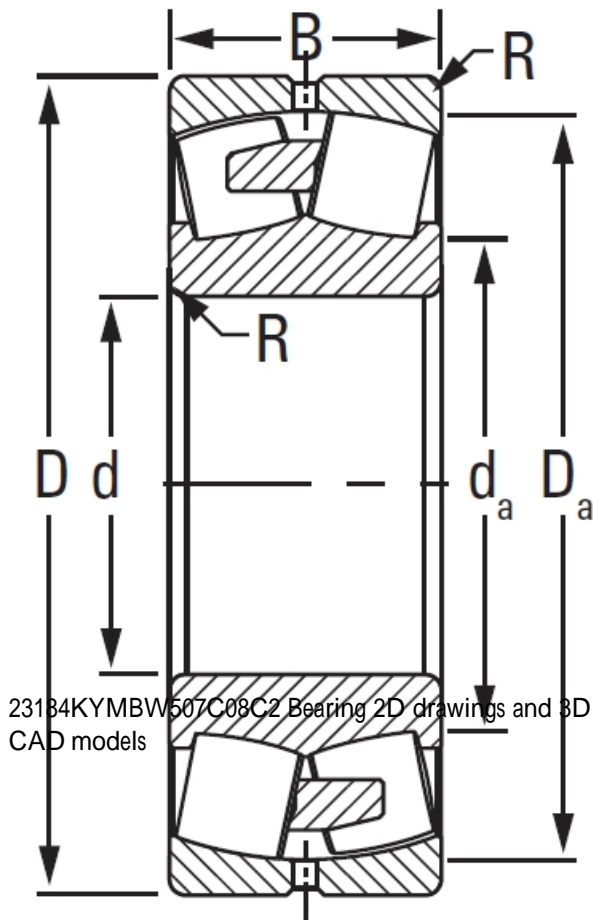




JOP BEARING MFG. CORP.

23184KYMBW507C08C2 TIMKEN Tapered Roller Bearings Tapered Single Imperial

Bearing No. 23184KYMBW507C08C2



23184KYMBW507C08C2 Bearing 2D drawings and 3D CAD models

Design Unit	METRIC
Bore Taper	1/12
Bearing Weight	350.800 Kg
Cage Type	YMB
UPC Code	087796177871
Cage Material	Brass
d	420.000 mm
D	700.000 mm
B - Inner Ring Width	224 mm
B - Outer Ring Width	224.000 mm
R - Inner Ring To Clear Radius ¹	5.000 mm
r - Outer Ring To Clear Radius ²	5.000 mm
da - Inner Ring Backing Diameter	480.000 mm
Da - Outer Ring Backing Diameter	636.000 mm
C0 - Static Radial Rating	9640000 N
C1(2) - Dynamic Radial Rating (Two-Rows)	5720000 N
e - ISO Factor ³	0.31
Y0 - ISO Factor ⁴	2.21
Y1 - ISO Factor ⁵	3.2
Y2 - ISO Factor ⁶	2.16
Reference Thermal Speed Rating (Grease)	440



JOP BEARING MFG.CORP.

Reference Thermal Speed Rating (Oil) ⁷	480
Cg - Geometry Factor ⁸	0.0957