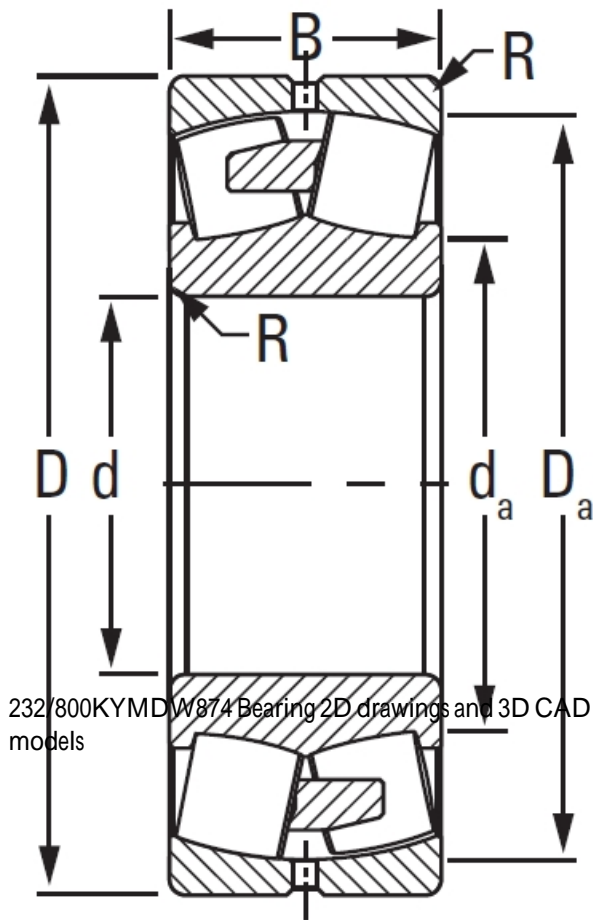




JOP BEARING MFG. CORP.

232/800KYMDW874 TIMKEN Tapered Roller Bearings Tapered Single Imperial

Bearing No. 232/800KYMDW874



232/800KYMDW874 Bearing 2D drawings and 3D CAD models

Design Unit	METRIC
Bore Taper	1/12
Bearing Weight	3310.000 Kg
Cage Type	YMD
Cage Material	Brass
d	800.000 mm
D	1420.000 mm
B - Inner Ring Width	488 mm
B - Outer Ring Width	488.000 mm
R - Inner Ring To Clear Radius ¹	11.000 mm
r - Outer Ring To Clear Radius ²	11.000 mm
da - Inner Ring Backing Diameter	935.000 mm
Da - Outer Ring Backing Diameter	1272.000 mm
C0 - Static Radial Rating	43600000 N
C1(2) - Dynamic Radial Rating (Two-Rows)	23900000 N
e - ISO Factor ³	0.33
Y0 - ISO Factor ⁴	2.04
Y1 - ISO Factor ⁵	3.03
Y2 - ISO Factor ⁶	1.99
Reference Thermal Speed Rating (Grease)	120
Reference Thermal Speed Rating (Oil) ⁷	130



JOP BEARING MFG. CORP.

Cg - Geometry Factor ⁸	0.1404
-----------------------------------	--------