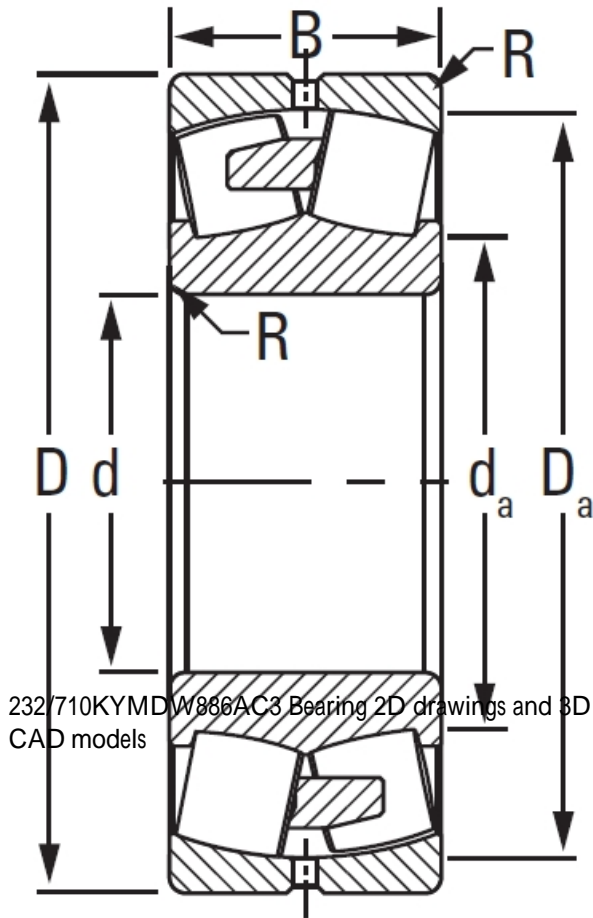




JOP BEARING MFG. CORP.

232/710KYMDW886AC3 TIMKEN Tapered Roller Bearings Tapered Single Imperial

Bearing No. 232/710KYMDW886AC3



232/710KYMDW886AC3 Bearing 2D drawings and 3D CAD models

Design Unit	METRIC
Bore Taper	1/12
Bearing Weight	2478.400 Kg
Cage Type	YMD
Cage Material	Brass
d	710.000 mm
D	1280.000 mm
B - Inner Ring Width	450 mm
B - Outer Ring Width	450.000 mm
R - Inner Ring To Clear Radius ¹	9.000 mm
r - Outer Ring To Clear Radius ²	9.000 mm
da - Inner Ring Backing Diameter	827.400 mm
Da - Outer Ring Backing Diameter	1149.000 mm
C0 - Static Radial Rating	35300000 N
C1(2) - Dynamic Radial Rating (Two-Rows)	20200000 N
e - ISO Factor ³	0.34
Y0 - ISO Factor ⁴	1.97
Y1 - ISO Factor ⁵	2.93
Y2 - ISO Factor ⁶	1.93
Reference Thermal Speed Rating (Grease)	140
Reference Thermal Speed Rating (Oil) ⁷	150



JOP BEARING MFG.CORP.

Cg - Geometry Factor ⁸	0.1305
-----------------------------------	--------