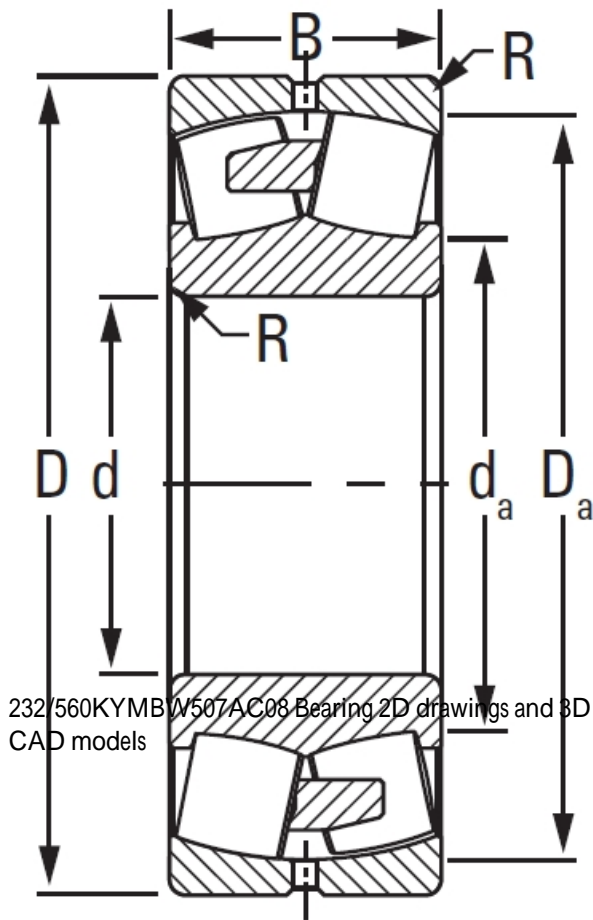




# JOP BEARING MFG. CORP.

## 232/560KYMBW507AC08 TIMKEN Tapered Roller Bearings Tapered Single Imperial

Bearing No. 232/560KYMBW507AC08



232/560KYMBW507AC08 Bearing 2D drawings and 3D CAD models

Design Unit	METRIC
Bore Taper	1/12
Bearing Weight	1333.000 Kg
Cage Type	YMB
Cage Material	Brass
d	560.000 mm
D	1030.000 mm
B - Inner Ring Width	365 mm
B - Outer Ring Width	365.000 mm
R - Inner Ring To Clear Radius <sup>1</sup>	7.000 mm
r - Outer Ring To Clear Radius <sup>2</sup>	7.000 mm
da - Inner Ring Backing Diameter	661.000 mm
Da - Outer Ring Backing Diameter	918.000 mm
C0 - Static Radial Rating	22300000 N
C1(2) - Dynamic Radial Rating (Two-Rows)	13200000 N
e - ISO Factor <sup>3</sup>	0.35
Y0 - ISO Factor <sup>4</sup>	1.96
Y1 - ISO Factor <sup>5</sup>	2.91
Y2 - ISO Factor <sup>6</sup>	1.91
Reference Thermal Speed Rating (Grease)	210
Reference Thermal Speed Rating (Oil) <sup>7</sup>	220



# JOP BEARING MFG. CORP.

Cg - Geometry Factor <sup>8</sup>	0.1189
-----------------------------------	--------