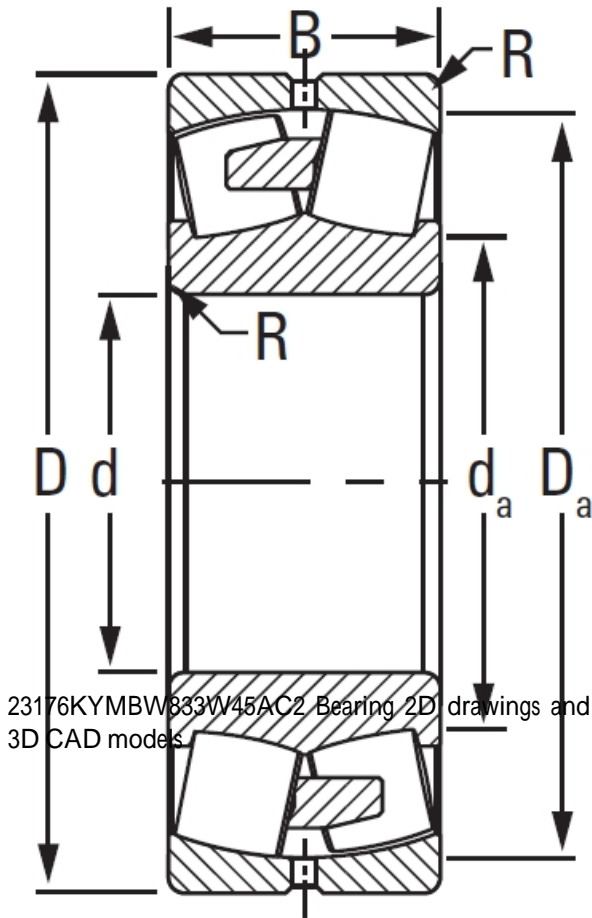




JOP BEARING MFG. CORP.

23176KYMBW833W45AC2 TIMKEN Tapered Roller Bearings Tapered Single Imperial

Bearing No. 23176KYMBW833W45AC2



23176KYMBW833W45AC2 Bearing 2D drawings and 3D CAD models

Design Unit	METRIC
Bore Taper	1/12
Bearing Weight	232.600 Kg
Cage Type	YMB
Cage Material	Brass
d	380.000 mm
D	620.000 mm
B - Inner Ring Width	194 mm
B - Outer Ring Width	194.000 mm
R - Inner Ring To Clear Radius ¹	4.000 mm
r - Outer Ring To Clear Radius ²	4.000 mm
da - Inner Ring Backing Diameter	431.000 mm
Da - Outer Ring Backing Diameter	566.000 mm
C0 - Static Radial Rating	7580000 N
C1(2) - Dynamic Radial Rating (Two-Rows)	4490000 N
e - ISO Factor ³	0.3
Y0 - ISO Factor ⁴	2.28
Y1 - ISO Factor ⁵	3.39
Y2 - ISO Factor ⁶	2.23
Reference Thermal Speed Rating (Grease)	510
Reference Thermal Speed Rating (Oil) ⁷	560



JOP BEARING MFG.CORP.

Cg - Geometry Factor ⁸	0.0895
-----------------------------------	--------