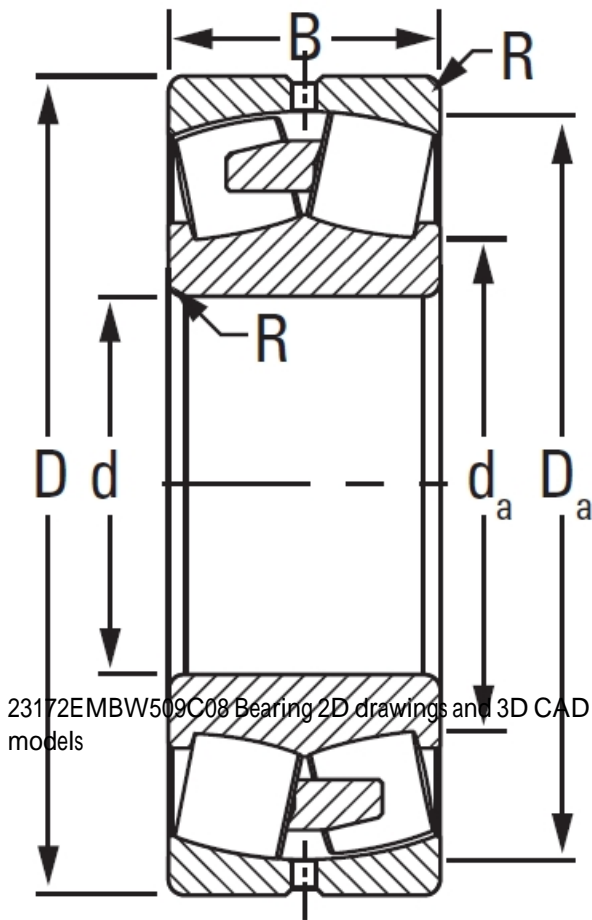




# JOP BEARING MFG. CORP.

## 23172EMBW509C08 TIMKEN Tapered Roller Bearings Tapered Single Imperial

Bearing No. 23172EMBW509C08



Design Unit	METRIC
Bearing Weight	222.100 Kg
Cage Type	EMB
UPC Code	087796177536
Cage Material	Brass
Superseded Part	23172YMBW509C08
d	360.000 mm
D	600.000 mm
B - Inner Ring Width	192 mm
B - Outer Ring Width	192.000 mm
R - Inner Ring To Clear Radius <sup>1</sup>	4.000 mm
r - Outer Ring To Clear Radius <sup>2</sup>	4.000 mm
da - Inner Ring Backing Diameter	416.000 mm
Da - Outer Ring Backing Diameter	546.000 mm
C0 - Static Radial Rating	7300000 N
C1(2) - Dynamic Radial Rating (Two-Rows)	4660000 N
e - ISO Factor <sup>3</sup>	0.29
Y0 - ISO Factor <sup>4</sup>	2.29
Y1 - ISO Factor <sup>5</sup>	3.42
Y2 - ISO Factor <sup>6</sup>	2.24
Reference Thermal Speed Rating (Grease)	530



## JOP BEARING MFG.CORP.

Reference Thermal Speed Rating (Oil) <sup>7</sup>	590
Cg - Geometry Factor <sup>8</sup>	0.1427