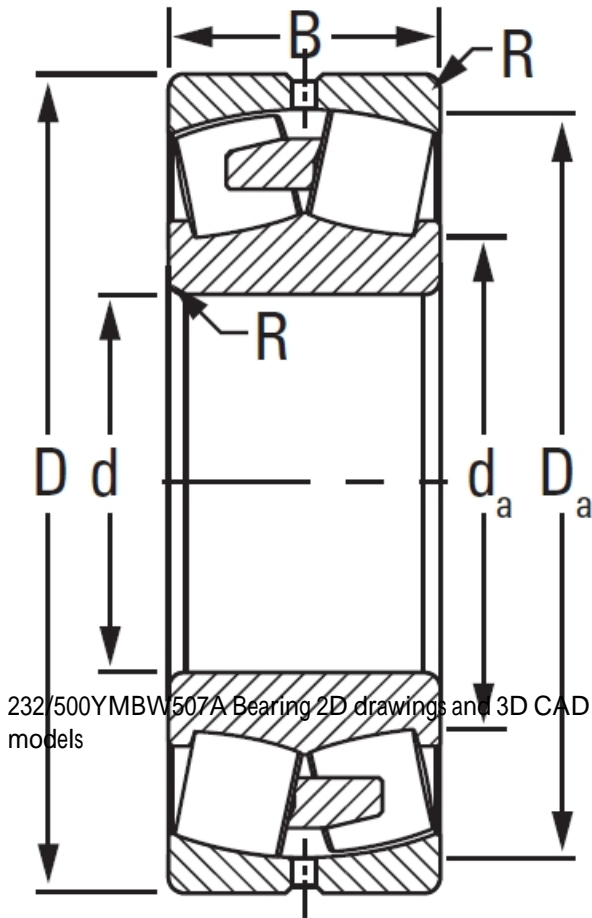




# JOP BEARING MFG. CORP.

## 232/500YMBW507A TIMKEN Tapered Roller Bearings Tapered Single Imperial

Bearing No. 232/500YMBW507A



Design Unit	METRIC
Bearing Weight	995.100 Kg
Cage Type	YMB
Cage Material	Brass
d	500.000 mm
D	920.000 mm
B - Inner Ring Width	336 mm
B - Outer Ring Width	336.000 mm
R - Inner Ring To Clear Radius <sup>1</sup>	6.000 mm
r - Outer Ring To Clear Radius <sup>2</sup>	6.000 mm
da - Inner Ring Backing Diameter	585.000 mm
Da - Outer Ring Backing Diameter	824.000 mm
C0 - Static Radial Rating	17900000 N
C1(2) - Dynamic Radial Rating (Two-Rows)	10900000 N
e - ISO Factor <sup>3</sup>	0.36
Y0 - ISO Factor <sup>4</sup>	1.9
Y1 - ISO Factor <sup>5</sup>	2.83
Y2 - ISO Factor <sup>6</sup>	1.86
Reference Thermal Speed Rating (Grease)	250
Reference Thermal Speed Rating (Oil) <sup>7</sup>	260
Cg - Geometry Factor <sup>8</sup>	0.11



# JOP BEARING MFG.CORP.